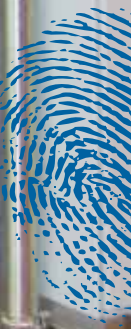


NTF Aalborg

Stainless steel designed for your benefit!

www.ntf.dk



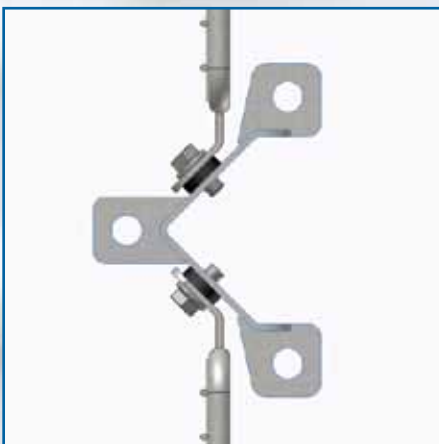
Hygienic module fencing in stainless steel



No closed profiles



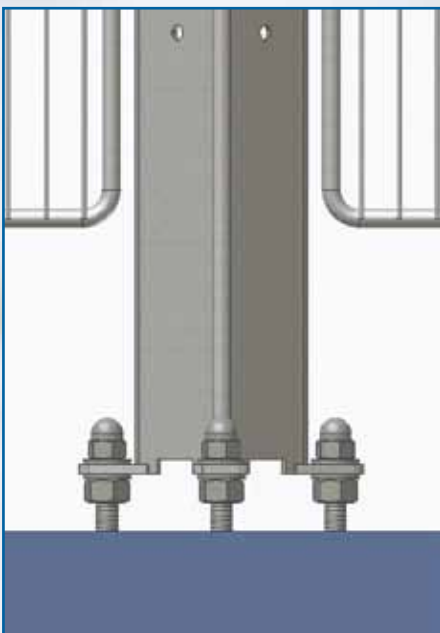
- Easy assembly
- No horizontal surfaces
- Complies with EN ISO 13857:2008
- Standard heights of 2,000mm and 2,500mm
- Modular structure
- Easy setup and assembly
- Completely constructed in AISI 304, 1st cl. pickled
- Can be supplied in AISI 316 on request



Easy assembly



- All joints are made with flange bolts and spacers.
- Can be supplied with special thread rods to raise from the floor
- Even for installations not raised from the floor, it is possible to clean effectively and hygienically due to our patented design
- Spacers are provided in order to achieve optimal hygienic conditions in "High Risk Zones"



Easy one man assembly due to the newly designed joining method

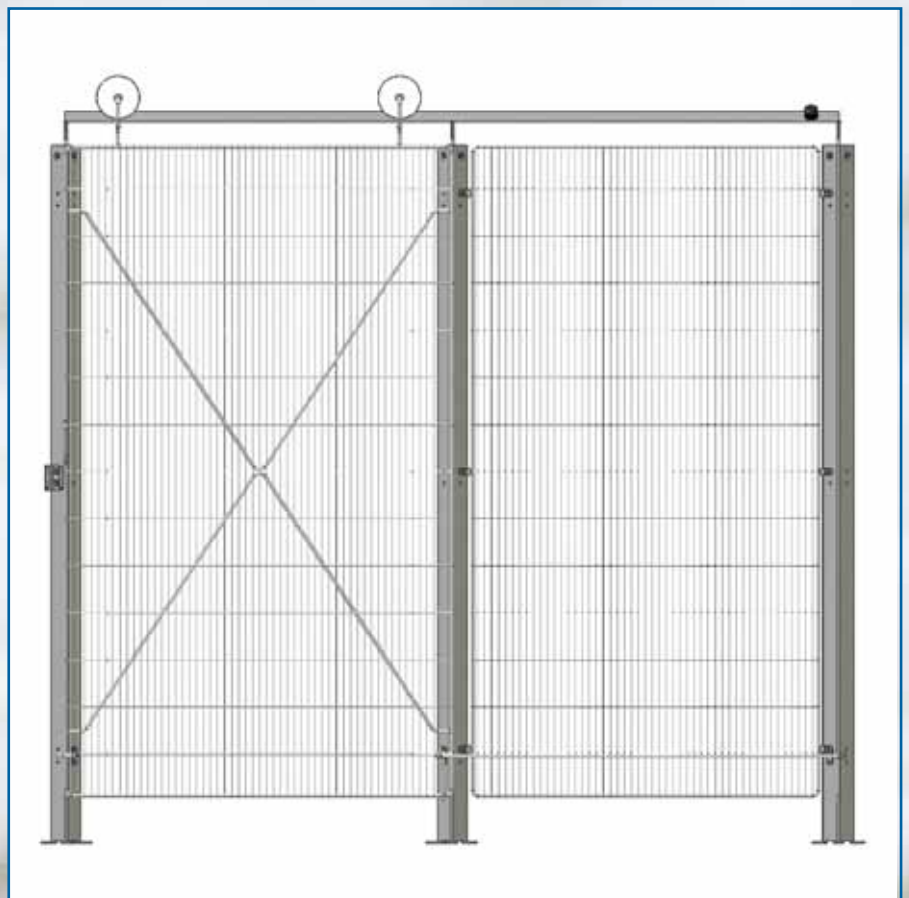
Meet the requirements of section 1.4.2.1. of annex 1 of the Machinery Directive.

- The fixing system must remain attached to either the fencing or the post
- Tools must be used on disassembly
- Fixed fencing must be incapable of remaining in place without its fixings

Sliding door system



- A cleaning-friendly sliding door system
- The large roller surface allows for optimal lifetime and increased stability
- The solid and simple locking mechanism ensures effective closure of the sliding door



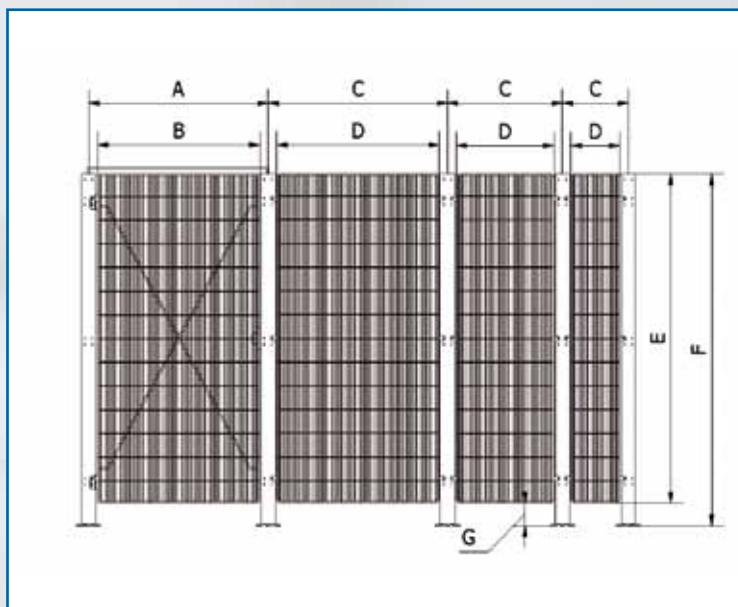
Standard module dimensions

2,000 mm standard module

Letter	Description	Dimensions in mm
A	Door module, c-c post	1106
B	Door width	1000
C	Module, c-c post	1106/706/406
D	Mesh width	1000/600/300
E	Mesh height	1870
F	Post height	2000
G	Clearance	130

Mesh type

Mesh, c-c	135-20
Wire	Ø3 mm & Ø4 mm

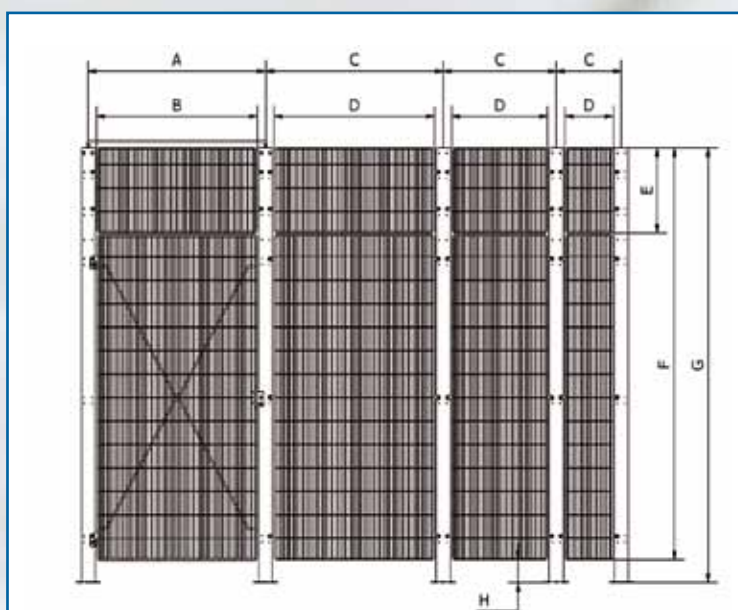


2,500 mm standard module

Letter	Description	Dimensions in mm
A	Door module, c-c post	1106
B	Door width	1000
C	Module, c-c post	1106/706/406
D	Mesh width	1000/600/300
E	Top mesh height	490
F	Mesh height	2370
G	Post height	2500
H	Clearance	130

Mesh type

Mesh, c-c	135-20
Wire	Ø3 mm & Ø4 mm









NTF-Aalborg A/S is a dynamic and innovative niche company with over 25 skilled employees, a modern fleet of machinery and approx. 2,800 m2 of office and production space at its disposal.

Process equipment

An extensive programme of wire rack, wire baskets and other customer-tailored solutions in stainless wire and rod steel, with focus on handling and refinement primarily in the food industry.

Inventory and hygiene

The NTF Hygiene programme encompasses a broad range of products, in particular, hygiene stations and stainless products for staff facilities.

www.ntf.dk

Our website gives you access to up-to-date information and a complete overview of our product programme, with photographs and drawings

Version 2012-02 GB